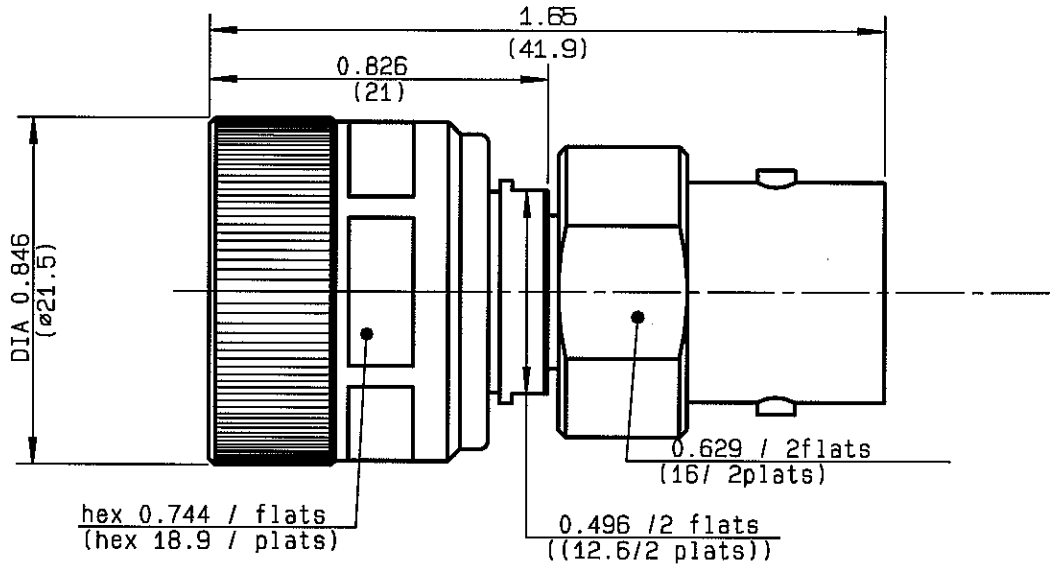


**ADAPTOR PC7 - C FEMALE**

**R191.031.000**

**SERIES**

**ADAPT**



NOMINAL IMPEDANCE	<b>50</b> Ω
FREQUENCY RANGE	<b>0-11</b> GHz
TEMPERATURE RATING	<b>+13/+33</b> °C
V.S.W.R	<b>1.05 + .01</b> x F(GHz)Maxi
RF INSERTION LOSS	<b>0.15</b> √F(GHz) dB Maxi
VOLTAGE RATING	<b>500</b> Veff Maxi
DIELECTRIC WITHSTANDING VOLTAGE	<b>1500</b> Veff Mini
INSULATION RESISTANCE	<b>5000</b> MΩMini
HERMETIC SEAL	<b>NA</b> Atm.cm <sup>3</sup> /s
LEAKAGE (pressurized only)	<b>NA</b>
MECHANICAL DURABILITY	<b>500</b> Cycles
WEIGHT	<b>56.5</b> gr
SPECIFICATION	

**CABLES :**

**OTHERS CHARACTERISTICS**

CABLE RETENTION	<b>N</b> Mini
CENTER CONTACT RETENTION	
Axial force - mating end	<b>27</b> N Mini
Axial force - opposite end	<b>27</b> N Mini
Torque	<b>3</b> cm.N Mini
RECOMMENDED TORQUES	
Mating	<b>NA</b> cm.N
Panel nut	<b>NA</b> cm.N
Clamp nut	<b>NA</b> cm.N

CONNECTOR PARTS	MATERIALS	FINISH	(all values are given ) in micrometers
BODY	STAINLESS STEEL	GOLD 1.3 OVER NICKEL 2	
OUTER CONTACT			
CENTER CONTACT	BERYLLIUM COPPER	GOLD 1.3 OVER NICKEL 2	
INSULATOR	PTFE,ULTEM	-	
GASKET		-	
OTHERS PIECES	BRASS	NICKEL 2	

TRIGUES

ISSUE	CREATION DATE	FILE PART-NUMBER
<b>0243G00</b>	<b>18/11/1970</b>	<b>DM-9705-028</b>



**RADIALL®**

The information given here is subject to change without notice.  
Design changes may be in order to improve the product .

*Connect to the future*